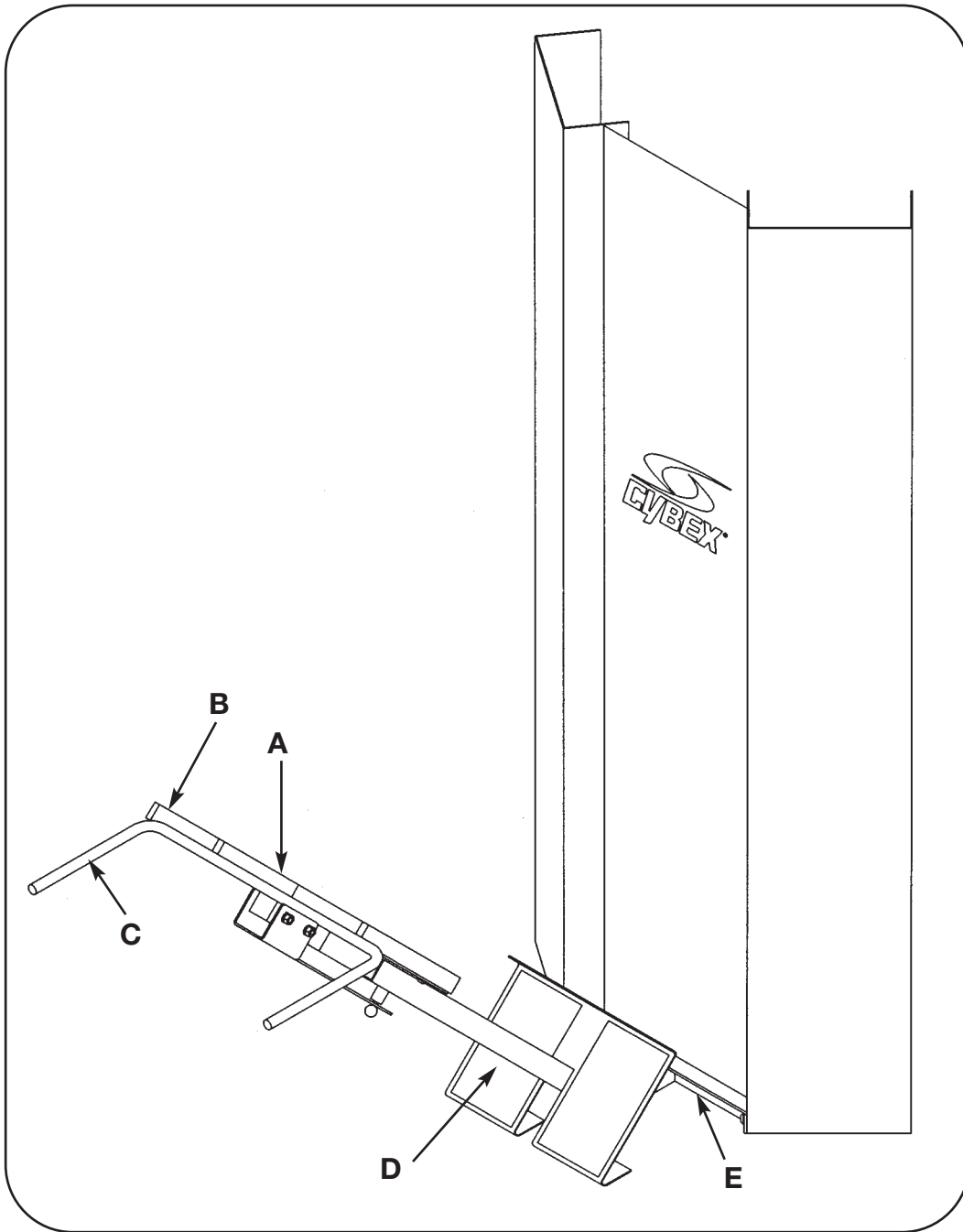


MODULAR 45° BACK EXTENSION

5608

ASSEMBLY & PARTS



DESCRIPTION	PART NO.	DESCRIPTION	PART NO.
A. Wear Cover.....	5410S024-0	C. Foam Grip.....	4045M079
B. Cushion With Wear Cover (Item A).....	01214	D. Non-Slip Fabric.....	02185
		E. Serial Number Decal	

Upholstery Hardware Pack..... 5410S025

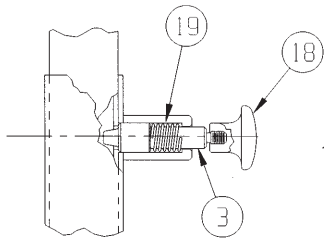
5608 - 45⁰ Back Extension

ITEM	QTY	PART NO.	DESCRIPTION
1	1	01206	Frame
2	1	01209	Pad Plate
3	1	4000M218	Detent Pin
4	1	5410P007	Adjusting Tube
5	2	JC702832	SHCS .375-16 x 2.75
6	2	HN704000	Hex Nut .375-16
7	2	HN784000	Hex Nut .50-13
8	2	HS348300	Split Lockwasher .375
9	2	JC780417	BHSCS .50-13 x 1.00
10	2	JS388300	Split Lockwasher .50
11	1	PP090210	Plastic Insert 2.00 Sq
12	2	HS347600	Washer .375
13	2	JC700422	BHSCS .375-16 x 1.50
14	2	01214	Cushion
15	2	02185	Non-slip Fabric
16	2	4045M079	Foam Grip
17	1	5410-302	Stop Bracket
18	1	PP460200	Plastic Knob
19	1	BS070201	Com Spring .56 x .66 1.50 L
20	2	5410S024-0	Wear Cover

Assembly Notes

1. Keep all shipping packages near area of installation.
Standard items include:
 - 45⁰ Back Extension Package - 5608-50
 - Cushion Box Assembly - 5410A020-0
2. Follow assembly guidelines listed on the 5600 Modular Center Post Assembly & Parts instruction sheet, part number 55600.

NOTE: This machine shipped with an Owner's Manual. Additional copies can be obtained by contacting your dealer or a Cybex Representative at 1-888-462-9239.



DETENT PIN ASSEMBLY

